



ENHANCED RELIABILITY

Human error reduced thanks to its simplicity.
Easy-to-use gauge carrier operated by anyone in less than 10 mins.
Proofed for Tubing-Conveyed Perforating.

METROLOG BREAKTHROUGH

Gauges protected and insulated from vibrations.
Carriers can hold up to 6 gauges (Quartz or Piezoresistive).
Monitor both casing and tubing pressure at the same time.

APPLICATIONS

Drill Stem Testing and TCP.
Any reservoir enhancement and workover jobs: acidizing, fracturing, gravel pack, etc.

SPECIFICATIONS

MECHANICS			
Material	Stainless steel (parkerised)		
Sour service	NACE recommendations		
Min. ID / OD	1" / 4"		
Std. ID / OD	2"¼ / 5"		
Max. ID / OD	3" / 7"		
Working press.	Up to 15.000 psi		
Threads	Any standard threads (ex: 3"½ IF BUxPD) or any premium threads		
TYPE	For Tubing Pressure Full Bore internal	For Casing Pressure Full Bore internal	Mixed Tubing/Casing
Up to # iGauges	6	4	4
Up to # iQuartz	6	4	4



STANDARD DIMENSIONS	With iGauges	With iQuartz
Length	2 ft	3 ft
Weight	50 lbs	70 lbs

Metrolog

Technoparc. Bat.2. Avenue L'occitane. BP 27415. 31674 Labège Cedex France
Telephone: (33) 5 61 34 80 74. **Fax:** (33) 5 61 20 41 31. **E-mail:** sales@metrolog.com
www.metrolog.com

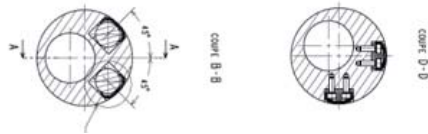
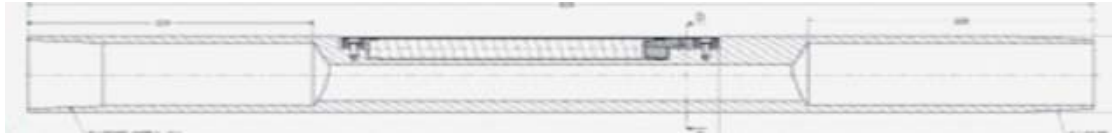
Sercel

S.A. au capital de 2 000 000 €. Siège Social: 16 rue de Bel-Air 44470 Carquefou.
 378.040.497 R.C.S. Nantes. Code APE 2651B. TDS0_007_0
www.sercel.com

Printed in France. © Sercel 09/08 - Information subject to change without notice.

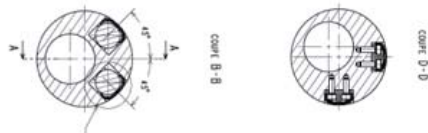
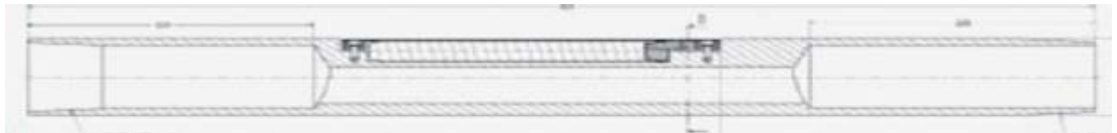


CARRIER 2 3/8 OD



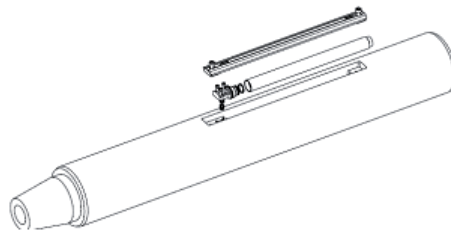
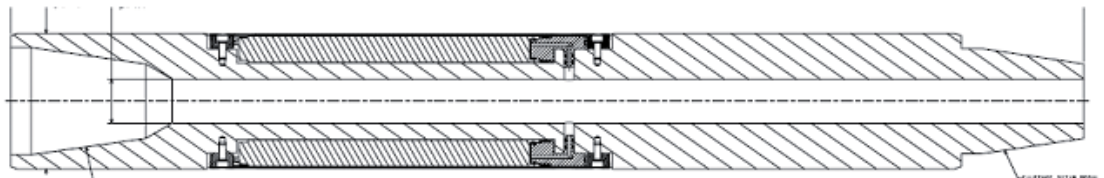
2 3/8 EUE threads

CARRIER 2 7/8 OD



2 7/8 Hydrill PH6 threads

CARRIER 3 7/8" OD



Metrolog

Bat.2. Technoparc. Avenue L'occitane. BP 27415. 31674 LABEGE Cedex France
Telephone: (33) 5 61 34 80 74. **Fax:** (33) 5 61 20 41 31. **E-mail:** sales@metrolog.com
www.metrolog.com

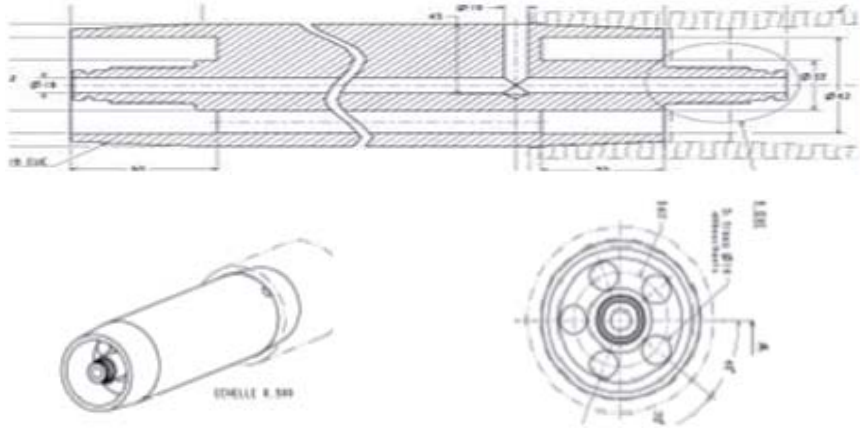
Sercel

S.A. au capital de 2 000 000 €. Siège Social: 16 rue de Bel-Air 44470 Carquefou.
 378.040.497 R.C.S. Nantes. Code APE 2651B
www.sercel.com

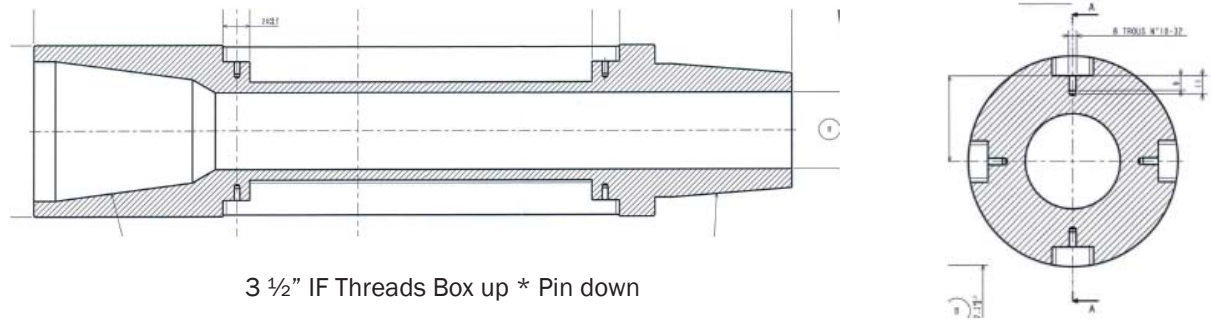
Printed in France. © Sercel 09/08 - Information subject to change without notice.



GAUGE CARRIER FOR FRAC PACK

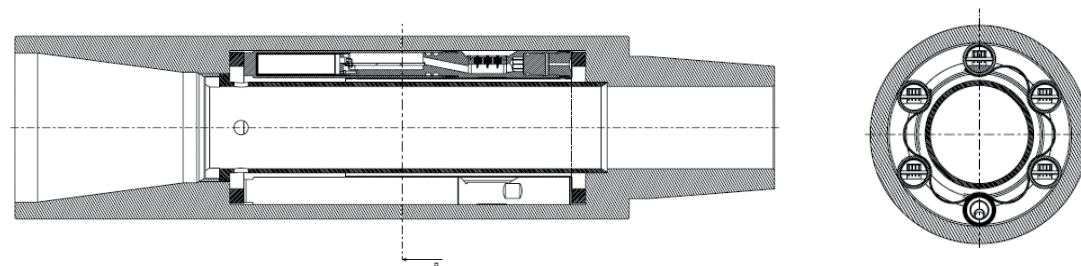


EXTERNAL GAUGE CARRIER 5" OD * 2.25 ID (FBE)



3 1/2" IF Threads Box up * Pin down

INTERNAL GAUGE CARRIER 5" OD * 2.25 ID (FBI)



3 1/2 IF Box up & Pin down

Metrolog

Bat.2. Technoparc. Avenue L'occitane. BP 27415. 31674 LABEGE Cedex France
Telephone: (33) 5 61 34 80 74. **Fax:** (33) 5 61 20 41 31. **E-mail:** sales@metrolog.com
www.metrolog.com

Sercel

S.A. au capital de 2 000 000 €. Siège Social: 16 rue de Bel-Air 44470 Carquefou.
 378.040.497 R.C.S. Nantes. Code APE 2651B
www.sercel.com

Printed in France. © Sercel 09/08 - Information subject to change without notice.